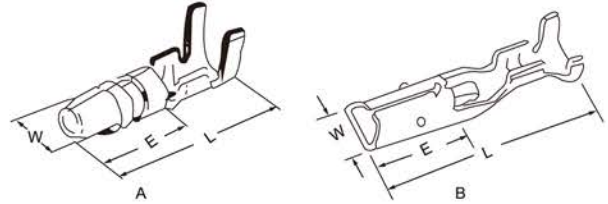


**OPEN BARREL TERMINALS(FEMALE & MALE)**



Fig	ITEM NO.	METAL	WIRE RANGE	Dimension(mm)					THICKNESS
				D	H	W	L	E	
A	DJ211-3.5B	Brass	1.0-1.5			3.5	15.0		0.5
A	DJ211-4B		1.0-1.5			4.0	16.0		0.5
B	DJ221-2.3B		1.0-1.5			3.9	19.0	7.4	0.3
B	DJ221-3.5B		1.0-1.5			3.3	17.6	6.5	0.3
B	DJ221-4B		1.0-1.5			3.8	17.6	6.5	0.4



**TERMINALS BLOCKS**

■ **TERMINAL BLOCKS H,U(W),V(F)TYPE**

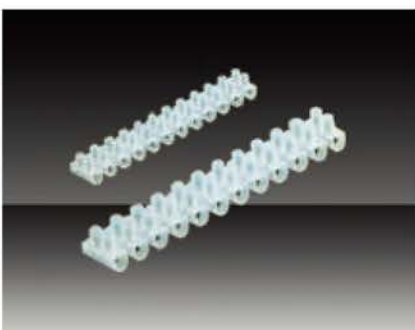
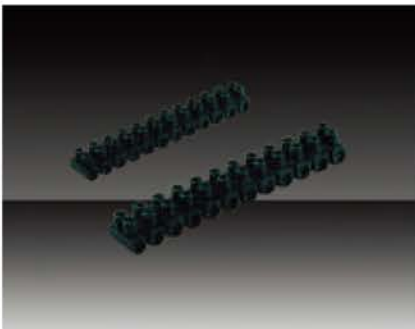
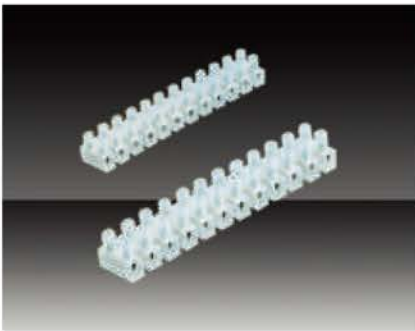
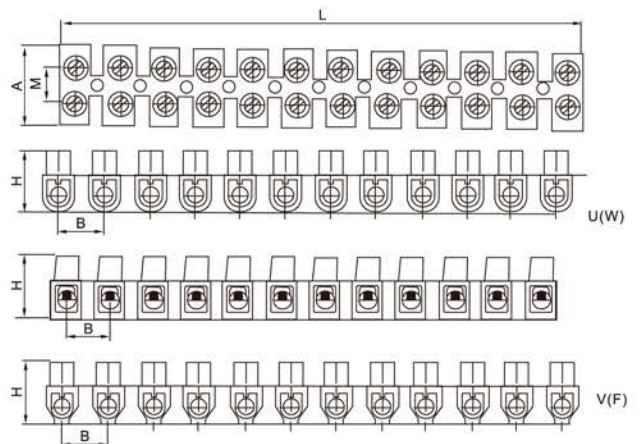
Material:made from PA,PE or PP.

Application

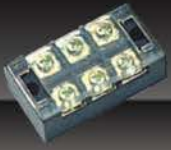
H.F.W.Series terminal connectors are used in the circuits of AC.50Hz or 60Hz voltage up to 660V or DC.Volitage up to 440V current from 3A to 150A,for connecting the round copper conductors.

Specification

ITEM NO.	L	A	H	M	B	mm <sup>2</sup>	VOLT	AMP	PACKING
DL-3A	93	16	12	6	8	4	400V	3A	10PCS
DL-6A	115	15.7	13	6.5	9.5	6	400V	6A	
DL-10A	126	20.2	15.5	8.4	10.5	10	400V	10A	
DL-16A	139	23	17.7	10.3	12	12	400V	16A	
DL-20A	155	25	19.2	11.5	13.5	14	400V	20A	
DL-30A	171	26	20.5	12	14.5	16	400V	30A	
DL-60A	192	30	26	13.5	16.5	25	400V	60A	
DL-80A	205	33	27	15	17	35	400V	80A	
DL-100A	250	46	31	22	21	40	400V	100A	



## TB TERMINAL BLOCKS



**TB-1503**  
Wire range:0.5-1.5mm<sup>2</sup>  
Rated current/Voltage:15A/600V



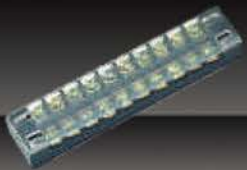
**TB-1504**  
Wire range:0.5-1.5mm<sup>2</sup>  
Rated current/Voltage:15A/600V



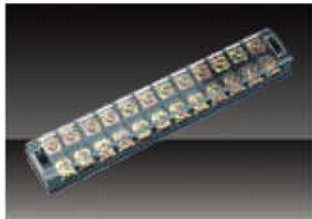
**TB-1505**  
Wire range:0.5-1.5mm<sup>2</sup>  
Rated current/Voltage:25A/600V



**TB-1506**  
Wire range:0.5-1.5mm<sup>2</sup>  
Rated current/Voltage:25A/600V



**TB-1510**  
Wire range:0.5-1.5mm<sup>2</sup>  
Rated current/Voltage:15A/600V



**TB-1512**  
Wire range:0.5-1.5mm<sup>2</sup>  
Rated current/Voltage:15A/600V



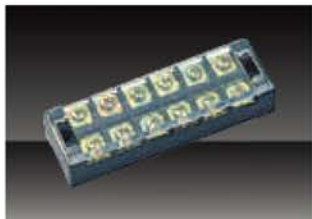
**TB-2503**  
Wire range:0.5-2.5mm<sup>2</sup>  
Rated current/Voltage:25A/600V



**TB-2504**  
Wire range:0.5-2.5mm<sup>2</sup>  
Rated current/Voltage:25A/600V



**TB-2505**  
Wire range:0.5-2.5mm<sup>2</sup>  
Rated current/Voltage:25A/600V



**TB-2506**  
Wire range:0.5-2.5mm<sup>2</sup>  
Rated current/Voltage:25A/600V



**TB-2510**  
Wire range:0.5-2.5mm<sup>2</sup>  
Rated current/Voltage:25A/600V



**TB-2512**  
Wire range:0.5-2.5mm<sup>2</sup>  
Rated current/Voltage:25A/600V



**TB-4503**  
Wire range:0.5-4mm<sup>2</sup>  
Rated current/Voltage:45A/600V



**TB-4504**  
Wire range:0.5-4mm<sup>2</sup>  
Rated current/Voltage:45A/600V



**TB-4505**  
Wire range:0.5-4mm<sup>2</sup>  
Rated current/Voltage:45A/600V



**TB-4506**  
Wire range:0.5-4mm<sup>2</sup>  
Rated current/Voltage:45A/600V



**TB-4512**  
Wire range:0.5-4mm<sup>2</sup>  
Rated current/Voltage:45A/600V



**TB6003**  
Wire range:0.5-1.5mm<sup>2</sup>  
Rated current/Voltage:60A/600V



**TB6004**  
Wire range:0.5-1.5mm<sup>2</sup>  
Rated current/Voltage:60A/600V



**TB1004**  
Wire range:0.5-2.5mm<sup>2</sup>  
Rated current/Voltage:100A/600V

**TC TERMAIAL BLOCKS**



**TC-602**  
 Wire range:14mm<sup>2</sup>  
 Rated current/Voltage:60A/600V



**TC-603**  
 Wire range:14mm<sup>2</sup>  
 Rated current/Voltage:60A/600V



**TC-604**  
 Wire range:14mm<sup>2</sup>  
 Rated current/Voltage:60A/600V



**TC-1002**  
 Wire range:14mm<sup>2</sup>  
 Rated current/Voltage:60A/600V



**TC-1003**  
 Wire range:22mm<sup>2</sup>  
 Rated current/Voltage:100A/600V



**TC-1004**  
 Wire range:22mm<sup>2</sup>  
 Rated current/Voltage:100A/600V



**TC-1502**  
 Wire range:60mm<sup>2</sup>  
 Rated current/Voltage:150A/600V



**TC-1503**  
 Wire range:60mm<sup>2</sup>  
 Rated current/Voltage:150A/600V



**TC-1504**  
 Wire range:60mm<sup>2</sup>  
 Rated current/Voltage:150A/600V



**TC-2002**  
 Wire range:100mm<sup>2</sup>  
 Rated current/Voltage:200A/600V



**TC-2003**  
 Wire range:100mm<sup>2</sup>  
 Rated current/Voltage:200A/600V



**TC-2004**  
 Wire range:100mm<sup>2</sup>  
 Rated current/Voltage:200A/600V



**TC-3003**  
 Wire range:150mm<sup>2</sup>  
 Rated current/Voltage:300A/600V



**TC-3004**  
 Wire range:150mm<sup>2</sup>  
 Rated current/Voltage:300A/600V



**TC-4003**  
 Wire range:200mm<sup>2</sup>  
 Rated current/Voltage:400A/600V



**TC-4004**  
 Wire range:200mm<sup>2</sup>  
 Rated current/Voltage:400A/600V



**TC-5003**  
 Wire range:200mm<sup>2</sup>  
 Rated current/Voltage:400A/600V



**TC-5004**  
 Wire range:200mm<sup>2</sup>  
 Rated current/Voltage:400A/600V

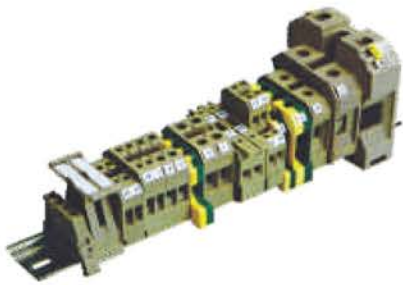


**TC-6003**  
 Wire range:300mm<sup>2</sup>  
 Rated current/Voltage:600A/600V

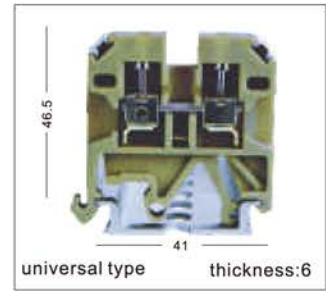


**TC-6004**  
 Wire range:300mm<sup>2</sup>  
 Rated current/Voltage:600A/660V

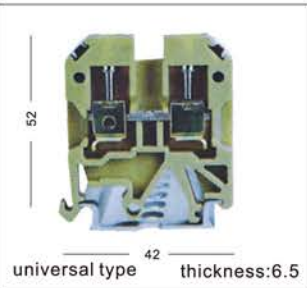
## JXB TERMAIAL BLOCKS



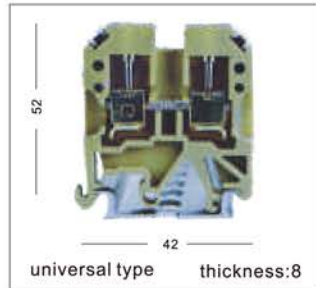
JXB-B



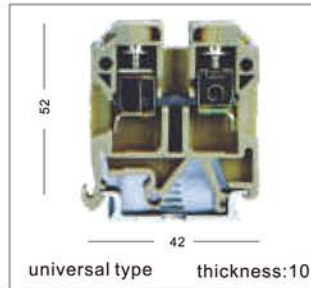
JXB2.5/35



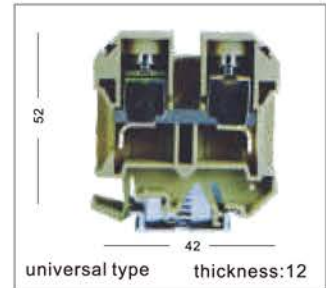
JXB 4/35



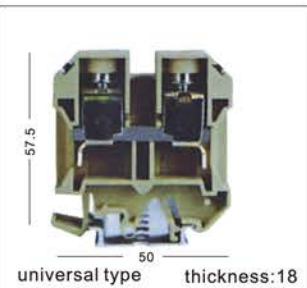
JXB 6/35



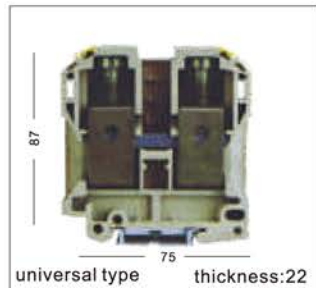
JXB 10/35



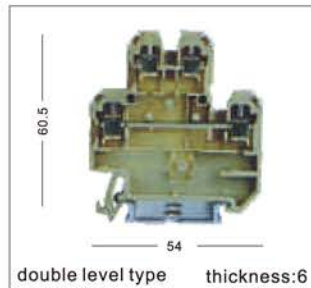
JXB 16/35



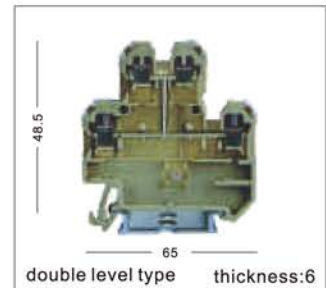
JXB 35/35



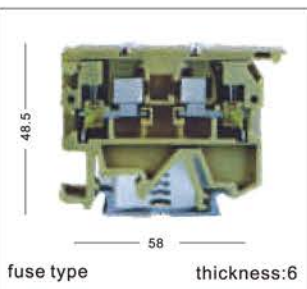
JXB 70/35



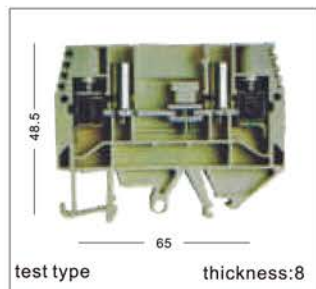
JXB 4/35S1



JXB 4/35SZ1



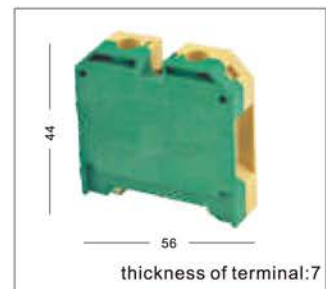
JXB RD



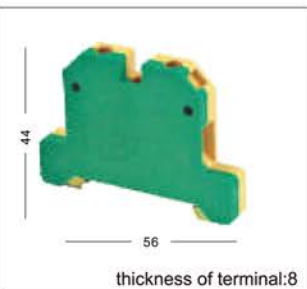
JXB W16/1



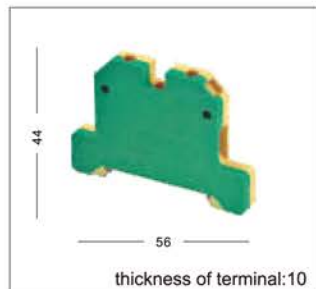
EK2.5/35



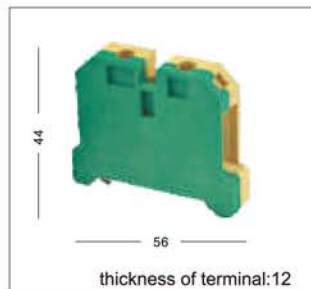
EK4/35



EK6/35



EK10/35

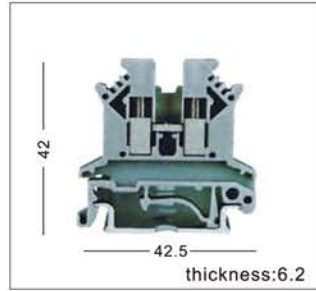
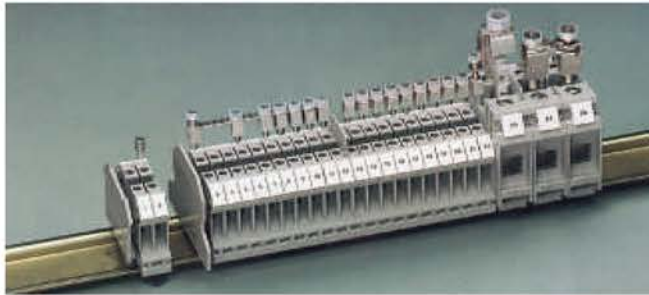


EK16/35

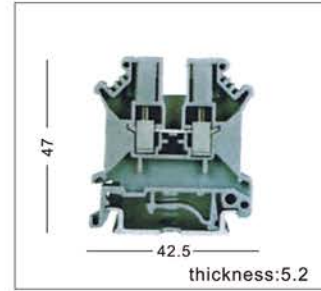


JXB-GD35

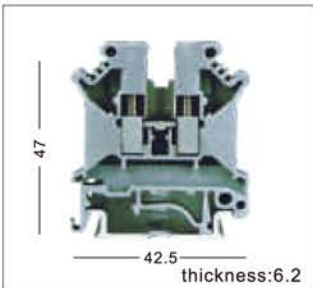
**UK TERMIAL BLOCKS**



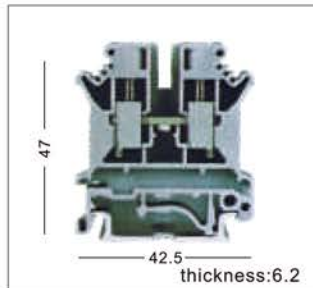
**UK 2.5B**



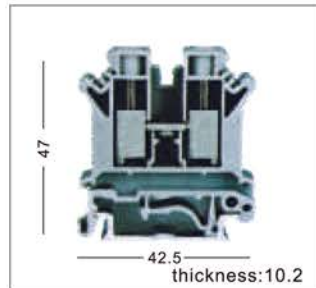
**UK 3N**



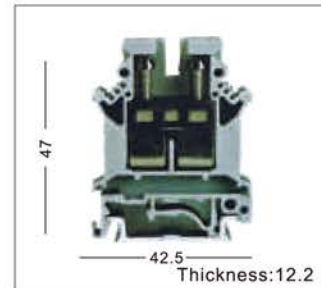
**UK 5N**



**UK 6N**



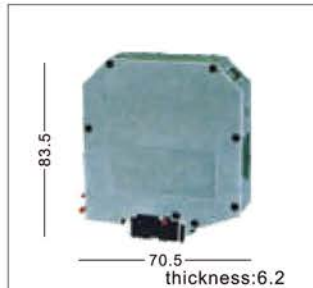
**UK 10N**



**UIK 16**



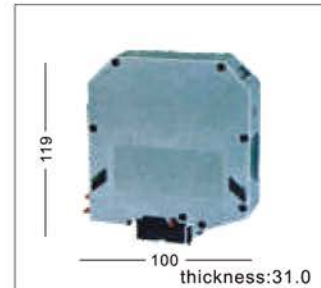
**UIK 35**



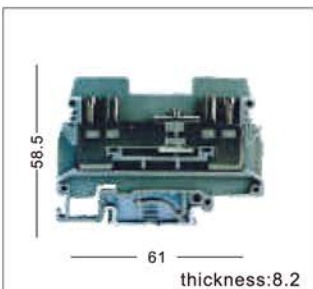
**UKH 50**



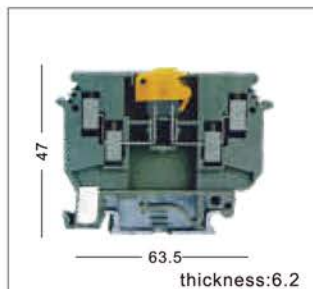
**UKH95**



**UKH150**



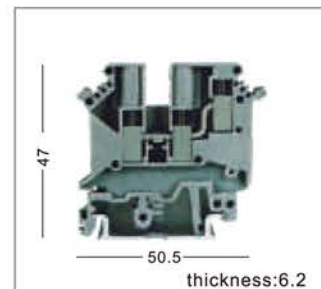
**URTK/S**



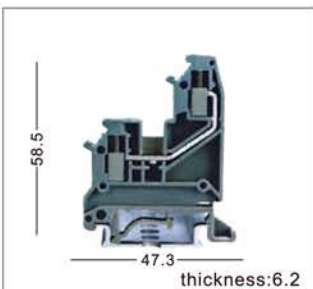
**UDK4-P/P**



**MTK-P/P**



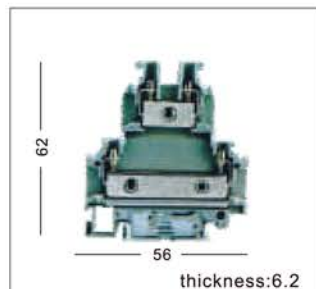
**UK5-TWZN**



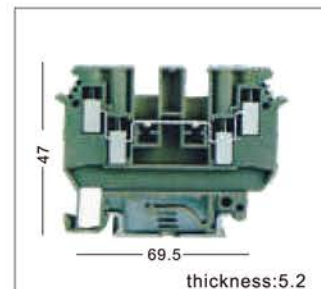
**UK5-RETURN**



**Sign Type terminal**

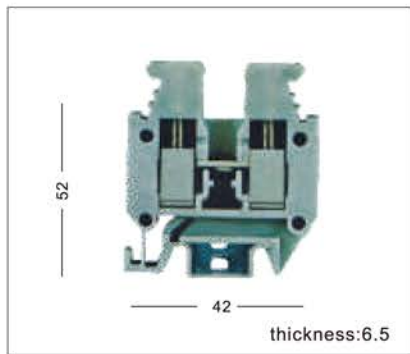


**UKK5**

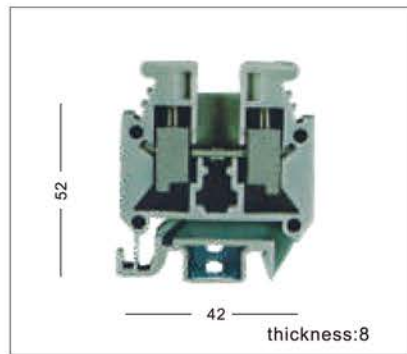


**UKKB3**

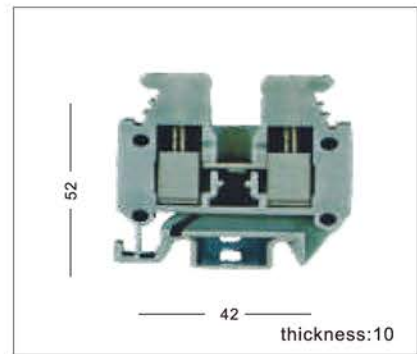
## UK TERMIAL BLOCKS



MBK 3/E-Z

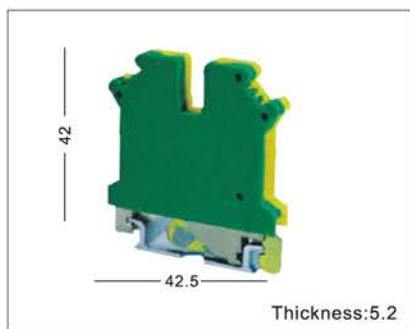


MBK 5/E-Z

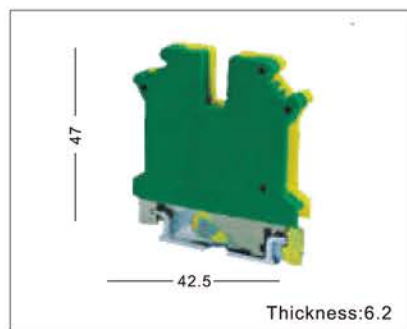


MBKKB 2-5

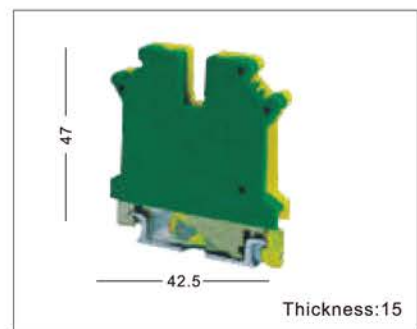
## UKSLG TERMIAL BLOCKS



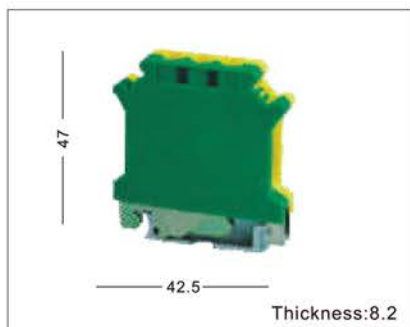
USLKG 3



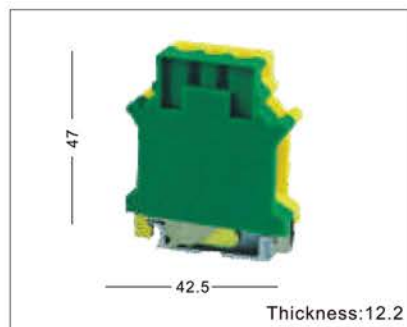
USLKG 5



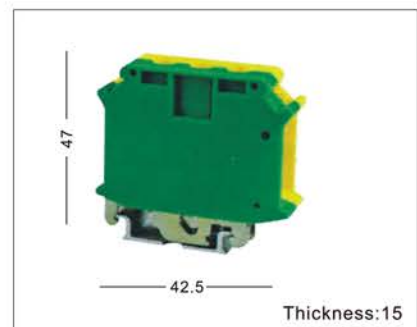
USLKG 6



USLKG 10



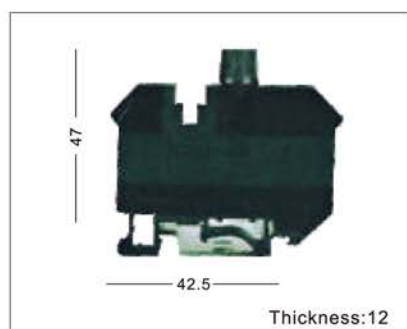
UISLKG 16



UISLKG 35



UK5-HESI



UK10-DREHSI

## Fuse Terminal

LTU2UK5-HESI is breaking revolving-arm type fuse terminal, revolving-arm can up-open and put into melting core, indicate with light, can connect revolving arm and break three-phase current circuit.

Used in	5X20/25/30mm	fuse tube
With indication		AC/DC、15-24V
Current consumption		AC3.5-7.5mA
With indication		AC/DC、110-250V
Current consumption		AC1.5-3.5mA,DC0.2-0.8mA